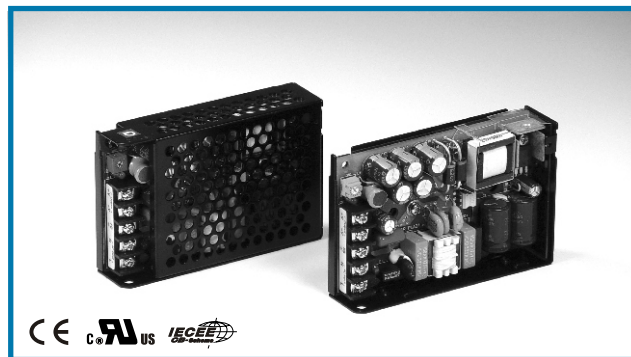


C 15

C 15 Series AC/DC Converters

Total power 15 Watts
Input voltages AC 90~264V or DC120~340V
#of outputs Single output



SPECIAL FEATURES

- **UL** Marking, **CE** Marking (Low Voltage Directive)
- Small, compact size
- Surface mounting technology
- High efficiency
- Universal input
- Built - in EMI filter
- Inrush current limit
- Adjustable output voltage (Output1)
- Output over current protection
- Output over voltage protection
- Over temperature protection
- Low output ripple & noise
- Isolated output
- 2 Years warranty

ENVIRONMENTAL

- Operating temperature range -10 ~60
- Storage temperature range -20 ~70
- Humidity 20%~90%RH
- Vibration 10~55Hz at 2G 3minutes period
- Impact 20G for 11ms, once on each X, Y and Z-axis
- Cooling method Natural air
- MTBF(MIL-HDBK-217F) 1.9 x 10⁵ hrs
- Safety Approved (Single output)
 - UL (UL 60950) / CSA C22.2 (NO.60950) / CB (IEC60950) / CE (EN 60950) through TÜV
- Noise meets CISPR22-B FCC class B

ELECTRICAL SPECIFICATIONS

INPUT	<ul style="list-style-type: none"> • Voltage AC 90~264V (or DC 120~340V) (note) • Current 0.49A max. • Frequency 47~440Hz max. (50~60Hz typ.) • Efficiency 75% Typ. • Inrush current (at cold start) 30A max. @ 110VAC / 60A max. @ 220VAC • Leakage current 0.5mA max. @ 110VAC / 0.75mA max. @ 220VAC
OUTPUT	<ul style="list-style-type: none"> • Voltage adj. Range ± 10% typ. • Ripple and noise 1% max. • Line regulation ± 1% max. • Load regulation ± 1% max. • Dynamic load regulation ± 3% max. • Temperature drift ± 1% typ. • Rising time 100ms max. • Holding time 17ms min.
PROTECTION CIRCUIT	<ul style="list-style-type: none"> • Over current protection Over 105% of rating (Auto-restart) • Over voltage protection 115~140% of rating • Over temperature protection 80 min. (Latch-up mode)
ELECTRICALLY ISOLATED	<ul style="list-style-type: none"> • Input - Output AC 3KV, 1minute, 10mA / DC 500V, 100MOhms min. • Input - FG AC 2KV, 1minute, 10mA / DC 500V, 100MOhms min. • Output - FG AC 0.5KV, 1minute, 10mA / DC 500V, 70MOhms min.

NOTE For cases where conformance to various safety specs (UL, CSA, CE, etc) are required, input voltage and frequency range will be 100-240VAC, 50/60Hz.

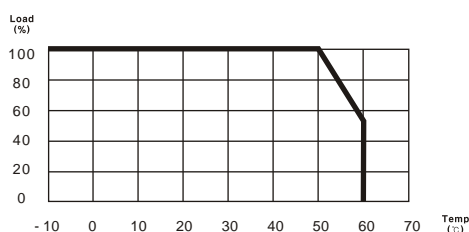
Ordering Information

Input	Output	Maximum Power	Ripple & Noise max	Efficiency Typ.	model Number
AC 90 ~ 264V or DC 120 ~ 340V	+3.3V@3.00A	9.90W	30mVp-p	70%	CS15-3R3
	+5.0V@3.00A	15.00W	50mVp-p	71%	CS15-5
	+12.0V@1.25A	15.00W	80mVp-p	72%	CS15-12
	+15.0V@1.00A	15.00W	80mVp-p	77%	CS15-15
	+24.0V@0.63A	15.12W	100mVp-p	79%	CS15-24

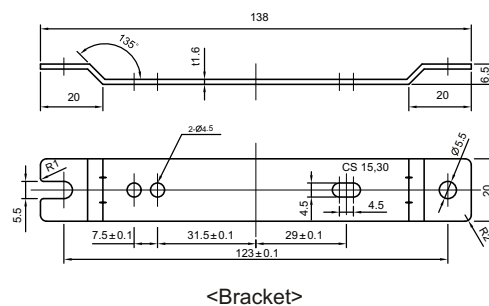
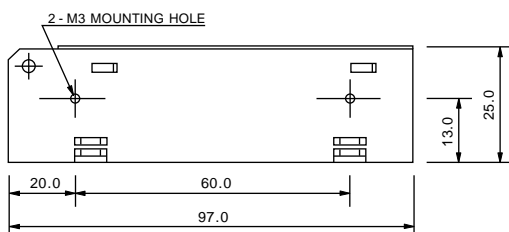
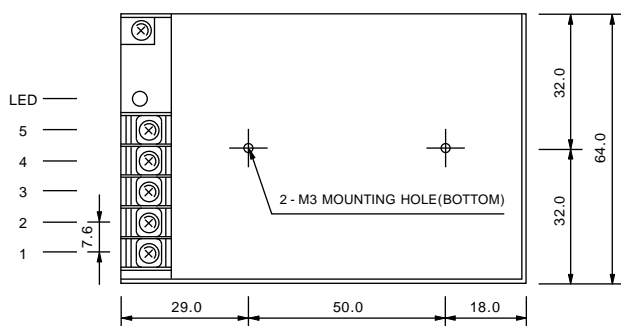
Pin assignments

Connector	Single
CN 1	1. AC(L)
	2. AC(N)
	3. FG
	4. -V
	5. +V

Derating curve



Dimensions



NOTES

1. All dimensions are mm.
2. Weight : 210g or less (single)
3. Mounting holes(4) for M3 screw, which should not enter the supply surface by more than 2.5mm.