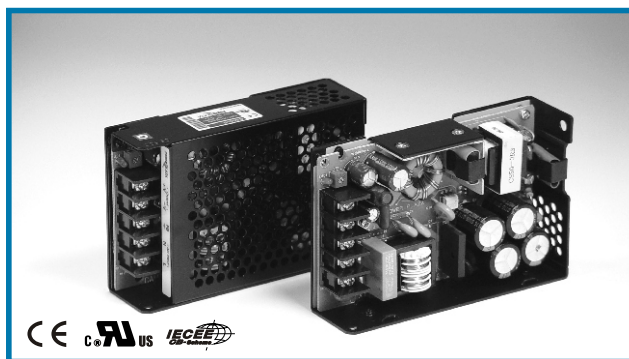


C50

C 50 Series AC/DC Converters

Total power 50 Watts
Input voltages AC 90~264V or DC120~340V
#of outputs Single output



SPECIAL FEATURES

- UL Marking, CE Marking (Low Voltage Directive)
- Small, compact size
- Surface mounting technology
- High efficiency
- Universal input
- Built - in EMI filter
- Inrush current limit
- Adjustable output voltage (Output1)
- Output over current protection
- Output over voltage protection
- Over temperature protection
- Low output ripple & noise
- Isolated output
- 2 Years warranty

ENVIRONMENTAL

- Operating temperature range -10 ~60
- Storage temperature range -20 ~70
- Humidity 20%~90%RH
- Vibration 10~55Hz at 2G 3minutes period
- Impact 20G for 11ms, once on each X, Y and Z-axis
- Cooling method Natural air
- MTBF (MIL-HDBK-217F) 1.8 x 10⁵ hrs
- Safety Approved (Single output)
 - └ UL (UL 60950) / CSA C22.2 (NO.60950) /
 - └ CB (IEC60950) / CE (EN 60950) through TÜV
- Noise meets CISPR22-B
FCC class B

ELECTRICAL SPECIFICATIONS

INPUT	<ul style="list-style-type: none"> · Voltage AC 90~264V (or DC 120~340V) (note1) · Current 1.25A max. · Frequency 47~440Hz max. (50~60Hz typ.) · Efficiency 77% Typ. · Inrush current (at cold start) 30A max. @ 110VAC / 60A max. @ 220VAC · Leakage current 0.5mA max. @ 110VAC / 0.75mA max. @ 220VAC
OUTPUT	<ul style="list-style-type: none"> · Voltage adj. Range ± 10% typ. · Ripple and noise 1% max. · Line regulation ± 1% max. · Load regulation ± 1% max. · Dynamic load regulation ± 3% max. · Temperature drift ± 1% typ. · Rising time 100ms max. · Holding time 17ms min.
PROTECTION CIRCUIT	<ul style="list-style-type: none"> · Over current protection Over 105% of rating (Auto-restart) · Over voltage protection 115~140% of rating · Over temperature protection 80 min. (Latch-up mode)
ELECTRICALLY ISOLATED	<ul style="list-style-type: none"> · Input - Output AC 3KV, 1minute, 10mA / DC 500V, 100MOhms min. · Input - FG AC 2KV, 1minute, 10mA / DC 500V, 100MOhms min. · Output - FG AC 0.5KV, 1minute, 10mA / DC 500V, 70MOhms min.

NOTE For cases where conformance to various safety specs (UL, CSA, CE, etc) are required, input voltage and frequency range will be 100-240VAC, 50/60Hz.

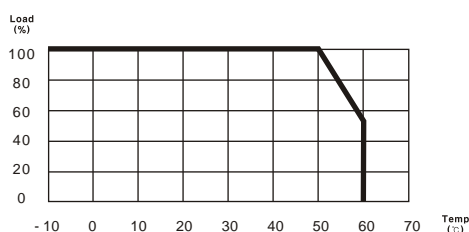
Ordering Information

Input	Output	Maximum Power	Ripple & Noise max	Efficiency Typ.	model Number
AC 90 ~ 264V or DC 120 ~ 340V	+3.3V@10.0A	33.0W	50mVp-p	75%	CS50-3R3
	+5.0V@10.0A	50.0W	80mVp-p	75%	CS50-5
	+12.0V@4.2A	50.4W	100mVp-p	77%	CS50-12
	+15.0V@3.4A	51.0W	120mVp-p	80%	CS50-15
	+24.0V@2.1A	50.4W	150mVp-p	82%	CS50-24

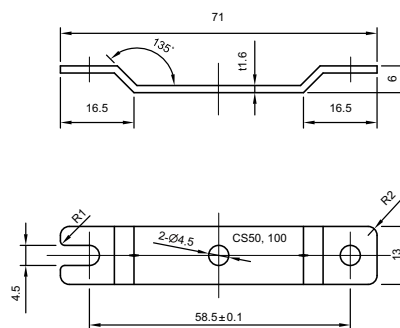
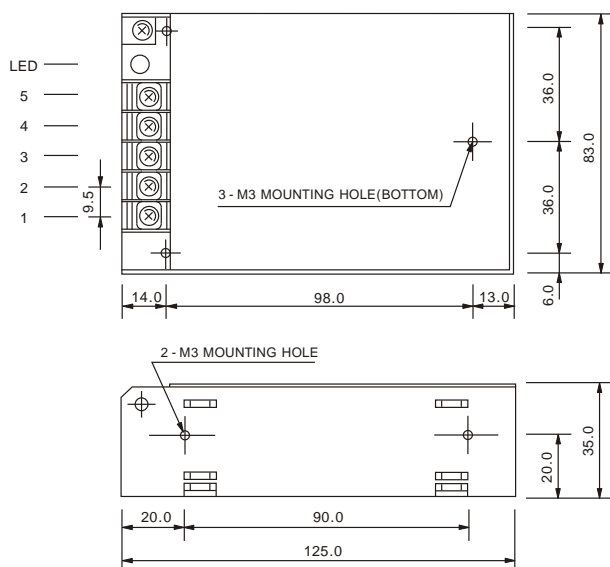
Pin assignments

Connector	Single
CN 1	1. AC(L)
	2. AC(N)
	3. FG
	4. -V
	5. +V

Derating curve



Dimensions



<Bracket>

NOTES

1. All dimensions are mm.
2. Weight : 400g or less (single)
3. Mounting holes(5) for M3 screw, which should not enter the supply surface by more than 3.5mm.